



# PARTS LIST

## 8600 SERIES

8652	8653
------	------

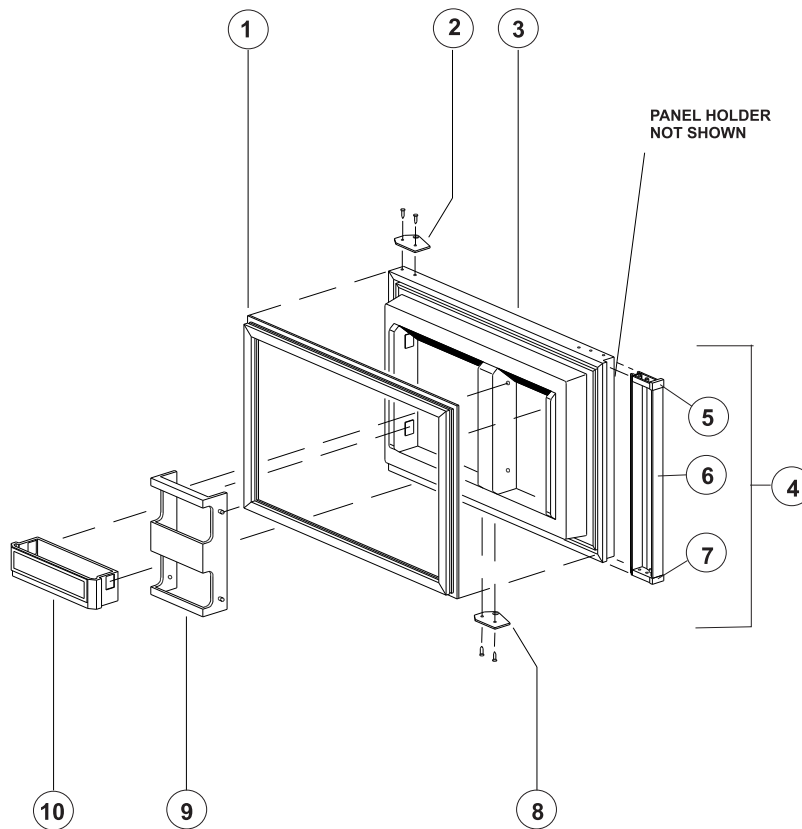
8662	8663
------	------

8682	8683
------	------

8662BK	8663BK
--------	--------

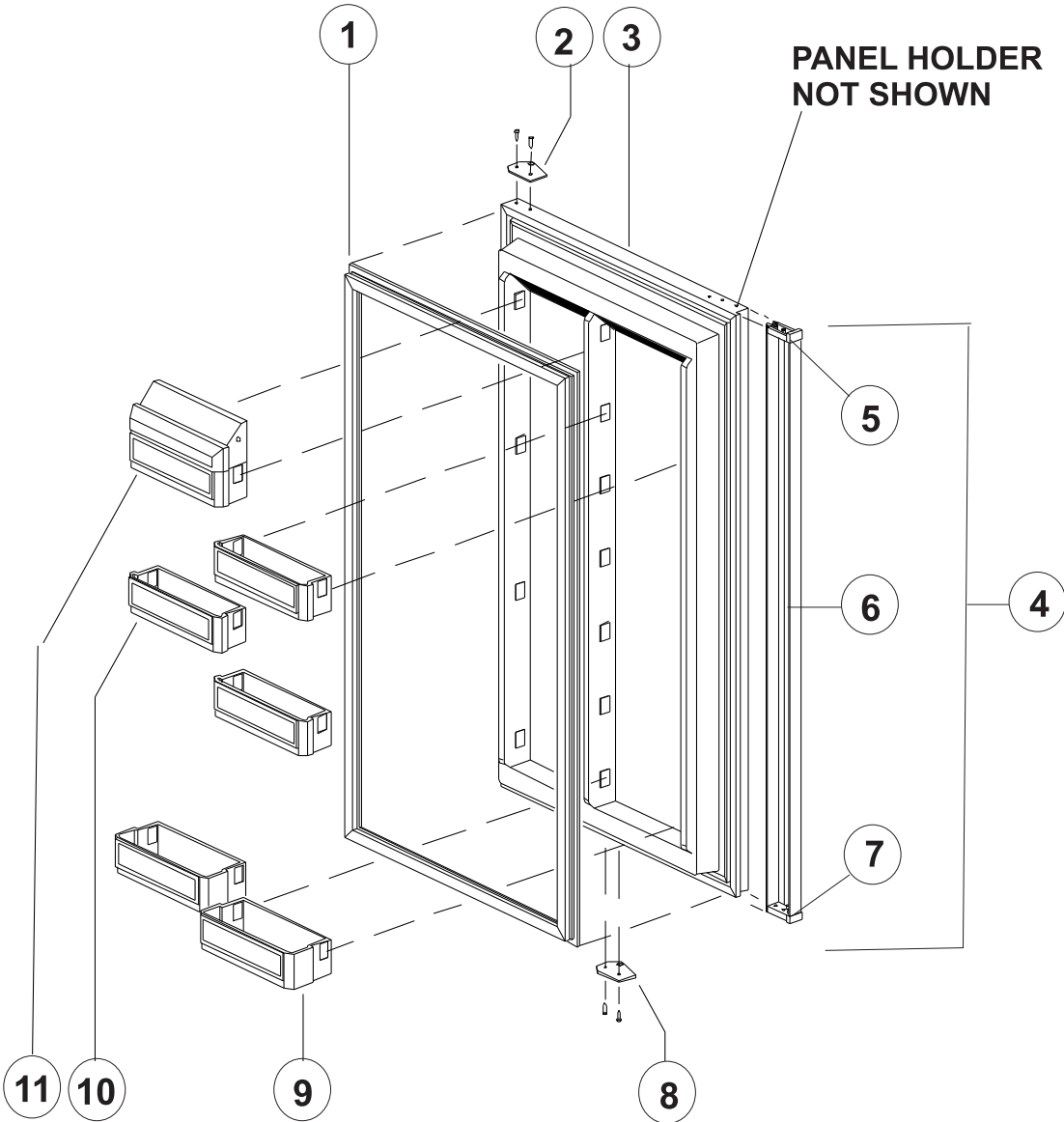
8682BK	8683BK
--------	--------

# UPPER DOOR - 866, 868 SERIES



NO.	PART #	DESCRIPTION	866	868
1	61567822	DOOR GASKET-UPPER/ALMOND (USE 61567830)	X	X
2	61566423	HINGE PLATE-BROWN/RH TOP/LH BOTTOM/METAL	BRN	BRN
	61566430	HINGE PLATE-BLACK/RH TOP/LH BOTTOM/METAL	BLK	BLK
	61631322	HINGE PLATE-BROWN/RH TOP/LH BOTTOM/PLASTIC (USE 61631330)	BRN	BRN
	61631330	HINGE PLATE-BLACK/RH TOP/LH BOTTOM/PLASTIC	BLK	BLK
3	61581837	DOOR LINER ASSY-FOAMED/UPPER/BROWN/ALMOND (USE 61689938)	BRN	BRN
	61581837-A	DOOR LINER ASSY-FOAMED/UPPER/BROWN/ALMOND (USE 61689938)	BRN	BRN
	61581838	DOOR LINER ASSY-FOAMED/UPPER/BLACK/ALMOND (USE 61689938)	BLK	BLK
	61581838-A	DOOR LINER ASSY-FOAMED/UPPER/BLACK/ALMOND (USE 61689938)	BLK	BLK
NS	61592923	PANEL HOLDER-BROWN/UPPER DOOR (NOT SHOWN)(USE 61592930)	BRN	BRN
NS	61592930	PANEL HOLDER-BLACK/UPPER DOOR (NOT SHOWN)	BLK	BLK
4	61592937	DOOR HANDLE ASSY-UPPER/BROWN (USE 61649038)	BRN	BRN
	61592938	DOOR HANDLE ASSY-UPPER/BLACK (USE 61649038)	BLK	BLK
5	61593822	END CAP-BROWN/STOP CATCH (USE 61593830)	BRN	BRN
	61593830	END CAP-BLACK/STOP CATCH	BLK	BLK
6	61575522	DOOR HANDLE-UPPER (USE 61648222)	X	X
7	61593722	END CAP-BROWN/SPRING CATCH (USE 61593730)	BRN	BRN
	61593730	END CAP-BLACK/SPRING CATCH	BLK	BLK
NS	61558822	SPRING-DOOR HANDLE (NOT SHOWN)	X	X
8	61565123	HINGE PLATE-BROWN/LH TOP/RH BOTTOM/METAL	BRN	BRN
	61565130	HINGE PLATE-BLACK/LH TOP/RH BOTTOM/METAL	BLK	BLK
	61631422	HINGE PLATE-BROWN/LH TOP/RH BOTTOM/PLASTIC (USE 61631430)	BRN	BRN
	61631430	HINGE PLATE-BLACK/LH TOP/RH BOTTOM/PLASTIC	BLK	BLK
9	61580522	JUICE RACK-BLACK/GOLD TRIM (USE 61580525)	X	X
10	61564022	BIN-DOOR SHELF/BLACK (USE 61564025)	X	X

# LOWER DOOR (FRESH FOOD) - 8600 SERIES

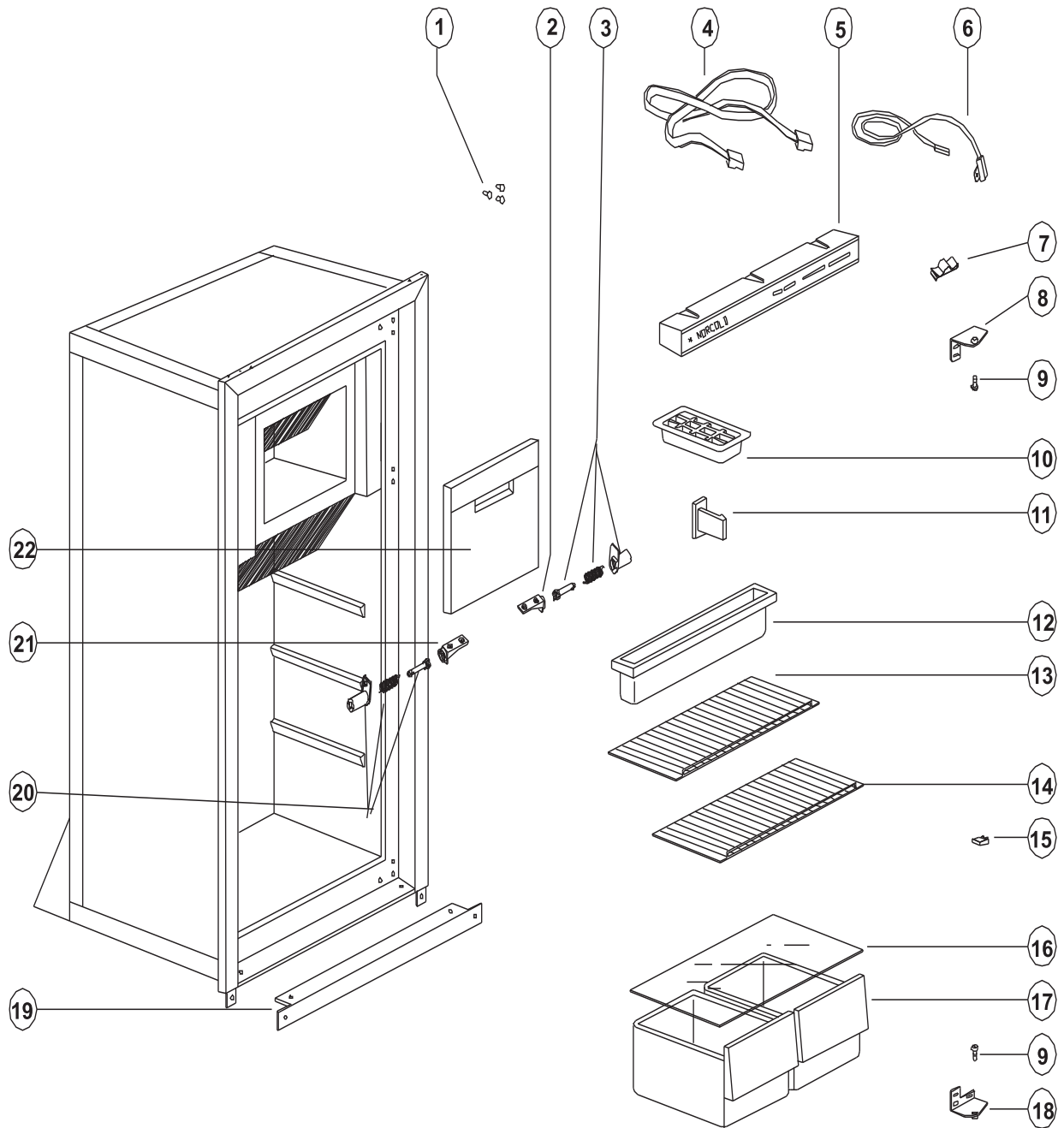


## LOWER DOOR (FRESH FOOD) - 8600 SERIES

NO.	PART #	DESCRIPTION	865	866	868
1	61567922	DOOR GASKET-LOWER/ALMOND (USE 61567930)		X	
	61568022	DOOR GASKET-LOWER/ALMOND (USE 61568030)	X		X
2	61566423	HINGE PLATE-BROWN/RH TOP/LH BOTTOM/METAL	BRN	BRN	BRN
	61631322	HINGE PLATE-BROWN/RH TOP/LH BOTTOM/PLASTIC (USE 61631330)	BRN	BRN	BRN
	61566430	HINGE PLATE-BLACK/RH TOP/LH BOTTOM/METAL	BLK	BLK	BLK
	61631330	HINGE PLATE-BLACK/RH TOP/LH BOTTOM/PLASTIC	BLK	BLK	BLK
3	61581937	DOOR LINER ASSY-FOAMED/LOWER/BROWN/ALMOND (USE 61690038)		BRN	
	61581937-A	DOOR LINER ASSY-FOAMED/LOWER/BROWN/ALMOND (USE 61690038)		BRN	
	61581737	DOOR LINER ASSY-FOAMED/LOWER/BROWN/ALMOND (USE 61581738-B)	BRN		BRN
	61581737-A	DOOR LINER ASSY-FOAMED/LOWER/BROWN/ALMOND (USE 61581738-B)	BRN		BRN
	61581738	DOOR LINER ASSY-FOAMED/LOWER/BLACK/ALMOND (USE 61581738-B)			BLK
	61581738-A	DOOR LINER ASSY-FOAMED/LOWER/BLACK/ALMOND (USE 61581738-B)			BLK
	61581938	DOOR LINER ASSY-FOAMED/LOWER/BLACK/ALMOND (USE 61690038)		BLK	
	61581938-A	DOOR LINER ASSY-FOAMED/LOWER/BLACK/ALMOND (USE 61690038)		BLK	
NS	61593023	PANEL HOLDER-BROWN/LOWER DOOR (NOT SHOWN)(USE 61593030)		BRN	
NS	61593030	PANEL HOLDER-BLACK/LOWER DOOR (NOT SHOWN)		BLK	
NS	61593123	PANEL HOLDER-BROWN/LOWER DOOR (NOT SHOWN)(USE 61593130)	BRN		BRN
NS	61593130	PANEL HOLDER-BLACK/LOWER DOOR (NOT SHOWN)			BLK
4	61593037	DOOR HANDLE ASSY-LOWER/BROWN (USE 61743738)		BRN	
	61593038	DOOR HANDLE ASSY-LOWER/BLACK (USE 61743738)		BLK	
	61593137	DOOR HANDLE ASSY-LOWER/BROWN (USE 61648838)	BRN		BRN
	61593138	DOOR HANDLE ASSY-LOWER/BLACK (USE 61648838)			BLK
5	61593822	END CAP-BROWN/STOP CATCH (USE 61593830)	BRN	BRN	BRN
	61593830	END CAP-BLACK/STOP CATCH		BLK	BLK
6	61575622	DOOR HANDLE-LOWER (USE 61648322)		X	
	61575722	DOOR HANDLE-LOWER (USE 61648422)	X		X
7	61593722	END CAP-BROWN/SPRING CATCH (USE 61593730)	BRN	BRN	BRN
	61593730	END CAP-BLACK/SPRING CATCH		BLK	BLK
NS	61558822	SPRING-DOOR HANDLE (NOT SHOWN)	X	X	X
8	61565130	HINGE PLATE-BLACK/LH TOP/RH BOTTOM/METAL		BLK	BLK
	61631430	HINGE PLATE-BLACK/LH TOP/RH BOTTOM/PLASTIC		BLK	BLK
	61565123	HINGE PLATE-BROWN/LH TOP/RH BOTTOM/METAL	X	BRN	BRN
	61631422	HINGE PLATE-BROWN/LH TOP/RH BOTTOM/PLASTIC (USE 61631430)	X	BRN	BRN
9	61579422	BIN-MILK/BLACK/GOLD BORDER/FIELD (USE 61579425)	X	X	X
10	61564022	BIN-DOOR SHELF/BLACK (USE 61564025)	X	X	X
11	61580422	DAIRY KEEPER-BLACK/GOLD BORDER	X	X	X

PART IS NO LONGER AVAILABLE

# CABINET ASSEMBLY - FRONT VIEW - 865



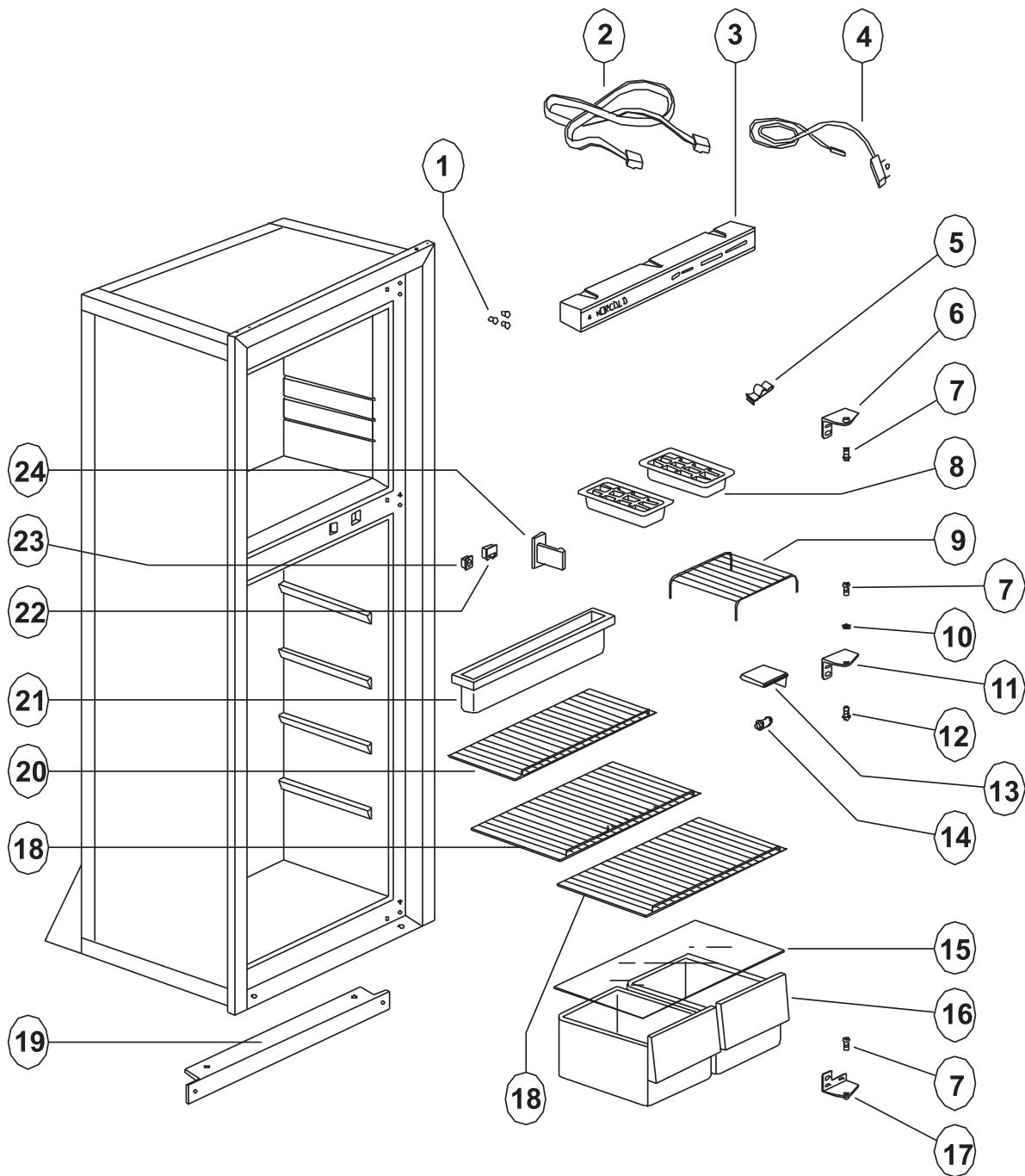
ART00470

## CABINET ASSEMBLY - FRONT VIEW - 865 SERIES

NO.	PART #	DESCRIPTION	865
1	61582022	HOLE PLUG-BROWN/HINGE HOLES (USE 61582030)	X
2	61632922	MOUNTING CLIP RH-ALMOND/EVAPORATOR DOOR (USE 61632930)	X
3	61632622	SPRING PIN-EVAPORATOR DOOR (USE 619041 OR 619042)	X
	61633222	TORSION SPRING RH-EVAPORATOR DOOR (USE 619041)	X
	61632822	SPRING HOLDER-RH/ALMOND/EVAP DOOR (USE 619041)	X
4	61571522	CABLE-GRAY/ 80"/PC BOARD TO POWER SUPPLY BOARD	X
5	61582137	EYEBROW ASSY-EG2	EG2
	61576537	EYEBROW ASSY-EG3	EG3
6	61621122	THERMISTER-66" (USE 61693822)	X
7	61689122	CLIP-THERMISTER MOUNTING/FIN	X
8	61580837	HINGE BRACKET-RH TOP/LH BTM/BROWN (USE 61580830)	X
9	61578123	HINGE PIN-BROWN/MALE	X
NS	61580623	HINGE PIN-BROWNTOP/BOTTOM HINGE/FEMALE (NOT SHOWN)(USE 61580630)	X
10	61630422	ICE CUBE TRAY-PLASTIC	X
11	61578522	DOOR LATCH	X
12	61619922	DRIP TRAY-ALMOND (USE 61619930)	X
13	61563722	SHELF-WIRE/TOP WITH LH RISER (USE 618651)	X
	617726	SHELF-WIRE/TOP WITH RH RISER (USE 618651)	X
NS	61584122	CAP-SHELF/GRAY/UPPER SHELF (NOT SHOWN)(USE 618065)	X
14	61563822	SHELF-WIRE/MIDDLE (USE 618052)	X
NS	61622722	RETAINER-WIRE SHELF (NOT SHOWN)	X
15	61580322	RETAINER-GLASS SHELF	X
16	61564122	CRISPER COVER-GLASS SHELF	X
17	61571322	CRISPER-BLACK/GOLD BORDER & WHEAT FIELD (USE 61571325)	X
18	61580937	HINGE BRACKET-LH TOP/RH BTM/BROWN (USE 61580930)	X
19	61622123	FRONT COVER-BROWN/REPLACEABLE BOTTOM TRIM (USE 61622130)	X
20	61632622	SPRING PIN-EVAPORATOR DOOR (USE 619041 OR 619042)	X
	61633122	TORSION SPRING LH-EVAPORATOR DOOR (USE 619042)	X
	61632722	SPRING HOLDER LH-ALMOND/EVAPORATOR DOOR (USE 619042)	X
21	61633022	MOUNTING CLIP LH-ALMOND/EVAPORATOR DOOR (USE 61633030)	X
22	61620737	EVAPORATOR DOOR ASSY-ALMOND (USE 61620738)	X
NS	61618722	DOOR GASKET-EVAPORATOR/ALMOND (NOT SHOWN)(USE 61618730)	X
NS	61579722	CAP-SNAP ON/BROWN/INSTALLATION HOLES (NOT SHOWN) (USE 61579730)	X
NS	61586822	BOTTOM RAIL (NOT SHOWN)	X

PART IS NO LONGER AVAILABLE

# CABINET ASSEMBLY - FRONT VIEW - 866 ,868 SERIES

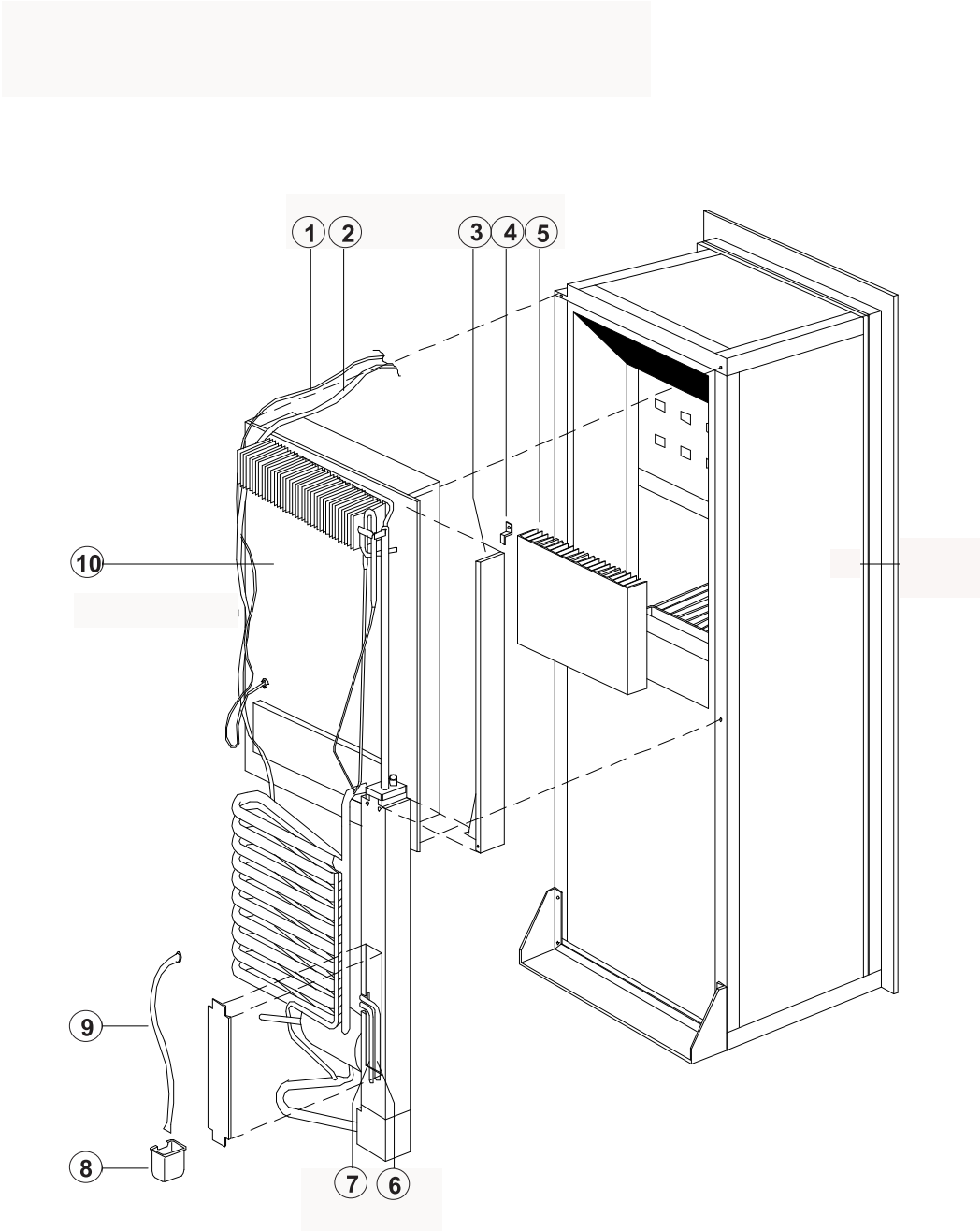


## CABINET ASSEMBLY - FRONT VIEW - 866 ,868 SERIES

NO.	PART #	DESCRIPTION	866	868
1	61582022	HOLE PLUG-BROWN/HINGE HOLES (USE 61582030))	BRN	BRN
	61582030	HOLE PLUG-BLACK/HINGE HOLES	BLK	BLK
2	61571522	CABLE-GRAY/ 80"/PC BOARD TO POWER SUPPLY BOARD	X	X
3	61582137	EYEBROW ASSY-EG2	EG2	EG2
3	61576537	EYEBROW ASSY-EG3	EG3	EG3
4	61621122	THERMISTER-66" (USE 61693822)	X	X
5	61689122	CLIP-THERMISTER MOUNTING/FIN	X	X
6	61580837	HINGE BRACKET-RH TOP/LH BTM/BROWN (USE 61580830)	BRN	BRN
	61580838	HINGE BRACKET-RH TOP/LH BTM/BLACK (USE 61580830)	BLK	BLK
7	61578123	HINGE PIN-BROWN/MALE	BRN	BRN
	61578130	HINGE PIN-BLACK/MALE	BLK	BLK
NS	61580630	HINGE PIN-BLACK/TOP/BOTTOM HINGE/FEM ALE (NOT SHOWN)	BLK	BLK
NS	61580623	HINGE PIN-BROWN/TOP/BOTTOM HINGE/FEMALE (NOT SHOWN)(USE 61580630)	BRN	BRN
8	61630422	ICE CUBE TRAY-PLASTIC	X	X
9	61523622	SHELF-WIRE/FREEZER	X	X
NS	61542422	CAP-EVAPORATOR SHELF (NOT SHOWN)	X	X
10	61580722	HINGE BUSHING-AT CENTER HINGE	X	X
11	61566523	HINGE BRACKET-BROWN/CENTER HINGE (USE 61566530)	BRN	BRN
	61566530	HINGE BRACKET-BLACK/CENTER HINGE	BLK	BLK
12	61566723	HINGE PIN SHAFT-BROWN/AT CENTER HINGE (USE 61566730)	BRN	BRN
	61566730	HINGE PIN SHAFT-BLACK/AT CENTER HINGE	BLK	BLK
13	61629722	LAMP BRACKET ASSY	X	X
	61523122	LAMP SOCKET	X	X
14	632545	LAMP-DC LIGHT BULB	X	X
	61460222	DC LIGHT BULB	X	X
15	61564122	CRISPER COVER-GLASS SHELF	X	X
NS	61580322	RETAINER-GLASS SHELF (NOT SHOWN)	X	X
16	61571322	CRISPER-BLACK/GOLD BORDER & WHEAT FIELD (USE 61571325)	X	X
17	61580937	HINGE BRACKET-LH TOP/RH BTM/BROWN (USE 61580930)	BRN	BRN
	61580938	HINGE BRACKET-LH TOP/RH BTM/BLACK (USE 61580930)	BLK	BLK
18	61563822	SHELF-WIRE/MIDDLE (USE 618052)	X	X
19	61622123	FRONT COVER-BROWN/REPLACEABLE BOTTOM TRIM (USE 61622130)	BRN	BRN
	61622130	FRONT COVER-BLACK/REPLACEABLE BOTTOM TRIM	BLK	BLK
20	61563722	SHELF-WIRE/TOP WITH LH RISER (USE 618651)	X	X
	617726	SHELF-WIRE/TOP WITH RH RISER (USE 618651)	X	X
NS	61584122	CAP-SHELF/GRAY/UPPER SHELF (NOT SHOWN)(USE 618065)	X	X
NS	61580222	RETAINER-WIRE SHELF (NOT SHOWN)	X	X
21	61572822	DRIP TRAY-INSIDE/ALMOND (USE 61572830)	X	X
22	61581022	LIGHT SWITCH-BLACK	X	X
23	61594322	ROCKER SWITCH-BLACK	X	X
24	61578522	DOOR LATCH	X	X
NS	61579722	CAP-SNAP ON/BROWN/INSTALLATION HOLES (NOT SHOWN) (USE 61579730)	BRN	BRN
NS	61579730	CAP-SNAP ON/BLACK/INSTALLATION HOLES (NOT SHOWN)	BLK	BLK
NS	61586822	BOTTOM RAIL (NOT SHOWN)	X	X
NS	61409622	CLIP-SHELF (NOT SHOWN)	X	X



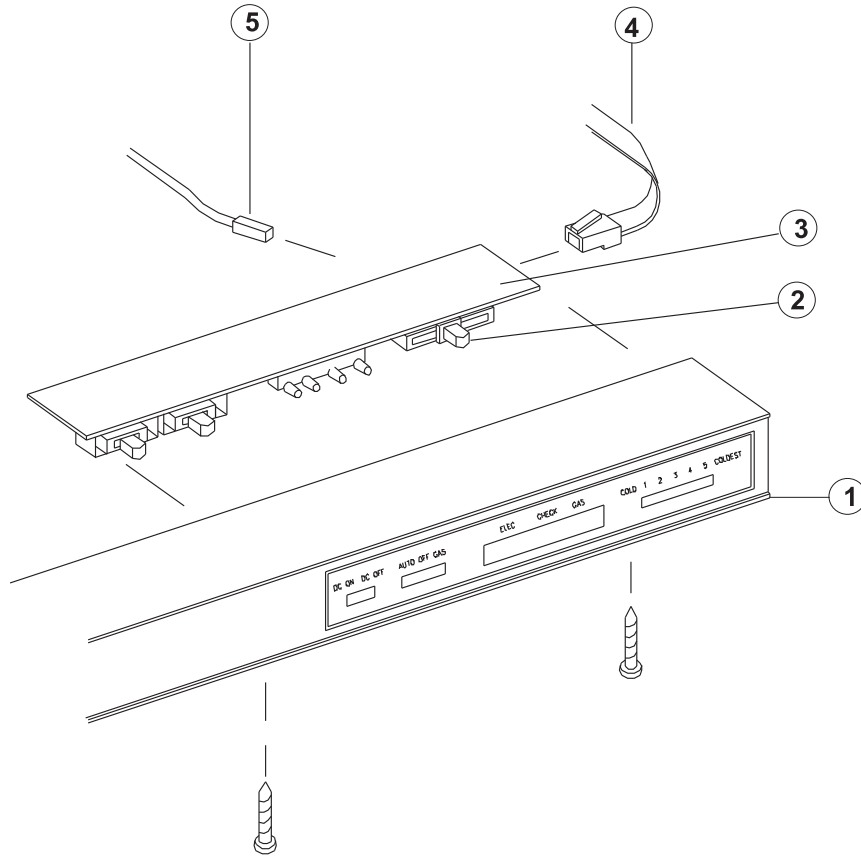
**CABINET ASSEMBLY - REAR VIEW - COOLING UNIT AREA - 8600 SERIES**



**CABINET ASSEMBLY - REAR VIEW - COOLING UNIT AREA - 8600 SERIES**

NO.	PART #	DESCRIPTION	865	866	868
1	61621122	THERMISTER-66" (USE 61693822)	X	X	X
2	61571522	CABLE-GRAY/ 80"/PC BOARD TO POWER SUPPLY BOARD	X	X	X
3	61453822	FLUE EXTENSION-STANDARD BURNER		X	
	61494422	FLUE EXTENSION-STANDARD BURNER			X
	61616222	FLUE EXTENSION-HORIZONTAL BURNER	X	X	
	61669537	FLUE EXTENSION-HORIZONTAL BURNER	X	X	
	61616122	FLUE EXTENSION-HORIZONTAL BURNER			X
	61669637	FLUE EXTENSION-HORIZONTAL BURNER			X
4	61463322	CLIP-FLUE CONNECTOR/STANDARD BURNER		X	X
	61589610	CLIP-FLUE CONNECTOR/HORIZONTAL BURNER	X	X	X
5	61449423	FINS/LARGE (USE (61449423-A)		X	X
	61449323	FINS/SM ALL (USE 61686823)	X		
6	61562622	HEATER-DC/150W/14VDC/HORIZONTAL BURNER	EG3		
	61562822	HEATER-DC/225W/14VDC/HORIZONTAL BURNER		EG3	EG3
7	61562522	HEATER-AC/200W/110VAC/HORIZONTAL BURNER	X		
	61562722	HEATER-AC/300W/110VAC/HORIZONTAL BURNER (USE 621702)		X	X
NS	61471322	HEATER-EG2/STANDARD BURNER/350W/120V AC (NOT SHOWN)		EG2	EG2
NS	61526322	HEATER-EG3/STD BURNER/350W/120V AC-225W/12VDC (NOT SHOWN)		EG3	EG3
8	61530511	DRIP PAN-REAR/RECTANGULAR CANISTER (USE 622546)		X	X
9	61591422	DRAIN HOSE-23" (USE 622390)		X	
	61509522	DRAIN HOSE (USE 622390)			X
NS	61505122	HOSE CLAMP (NOT SHOWN)		X	X
10	61473837	COOLING UNIT-STANDARD BURNER (USE 61687240 WITH CONVERSION KIT)		X	
	61498337	COOLING UNIT-STANDARD BURNER (USE 61687340 WITH CONVERSION KIT)			X
	61615037	COOLING UNIT-HORIZONTAL BURNER (USE 61687140)	X		
	61615237	COOLING UNIT-HORIZONTAL BURNER (USE 61687240)		X	
	61615637	COOLING UNIT-HORIZONTAL BURNER (USE 61687340)			X

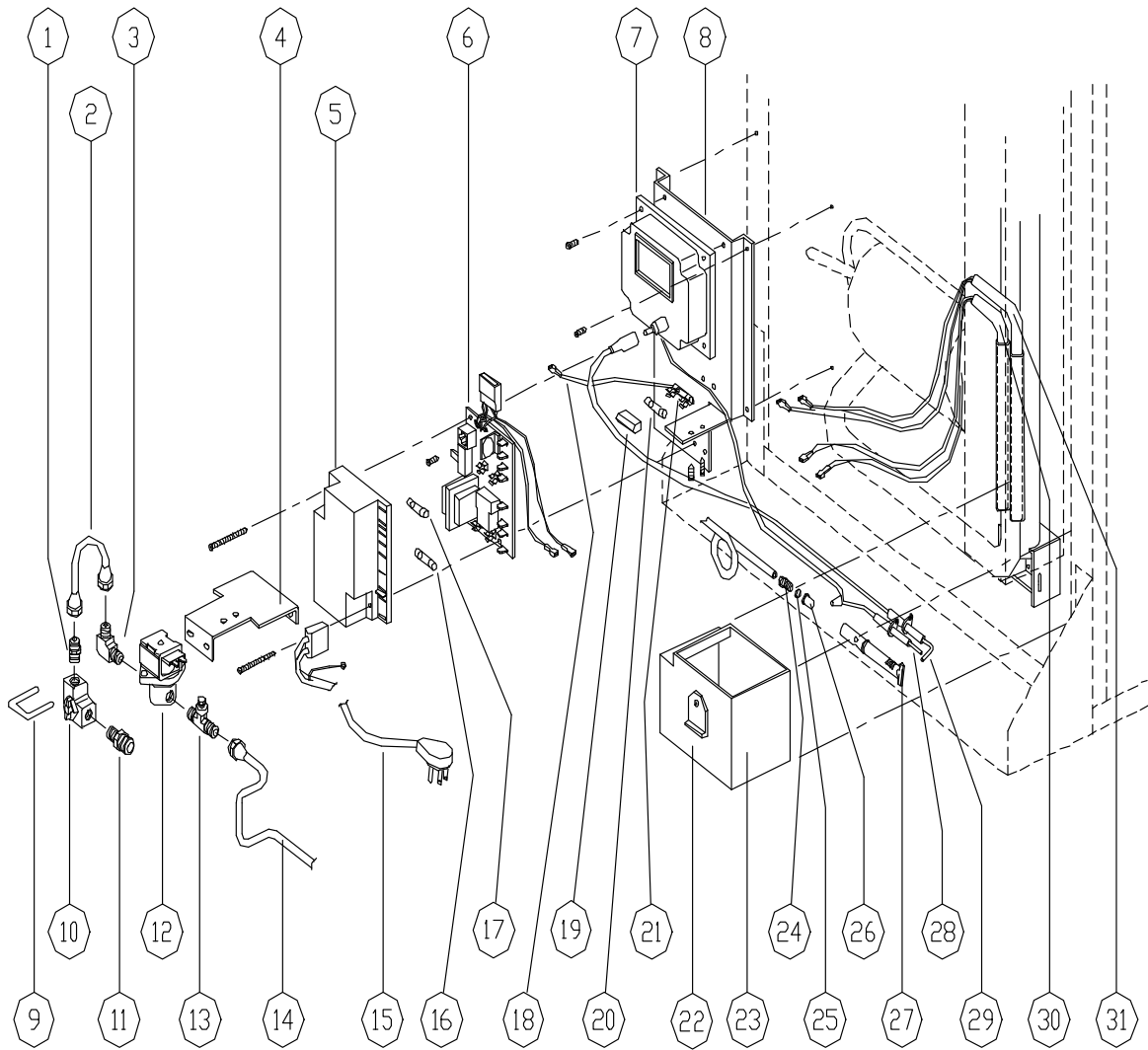
# EYEBROW ASSEMBLY - 8600 SERIES



NO.	PART #	DESCRIPTION	865	866	868
	61582137	EYEBROW ASSY-EG2	EG2	EG2	EG2
	61576537	EYEBROW ASSY-EG3	EG3	EG3	EG3
1	61576822	EYEBROW SHELL-EG2	EG2	EG2	EG2
	61569322	EYEBROW SHELL-EG3	EG3	EG3	EG3
2	61587422	THERMOSTAT BUTTON	X	X	X
3	61571222	PC BOARD-EG2/AT EYEBROW ASSY	EG2	EG2	EG2
	61563922	PC BOARD-EG3/AT EYEBROW ASSY	EG3	EG3	EG3
4	61571522	CABLE-GRAY/ 80"/PC BOARD TO POWER SUPPLY BOARD	X	X	X
5	61621122	THERMISTER-66" (USE 61693822)	X	X	X

PART IS NO LONGER AVAILABLE

# CONTROL ASSEMBLY - HORIZONTAL BURNER - 8600 SERIES

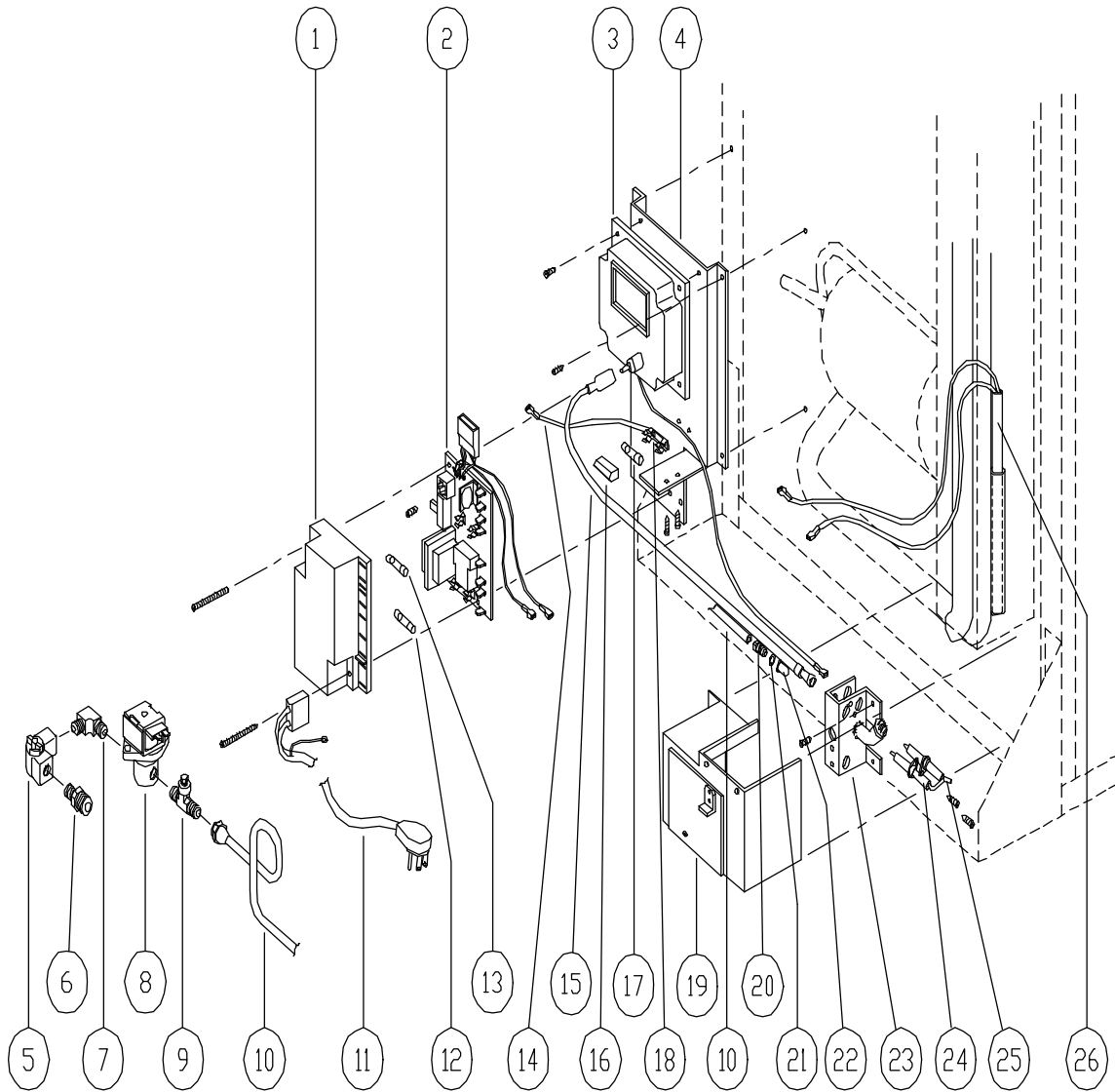


## CONTROL ASSEMBLY - HORIZONTAL BURNER - 8600 SERIES

NO.	PART #	DESCRIPTION	865	866	868
1	61546822	CONNECTOR-MALE	X	X	X
2	61620922	UNION TUBE	X	X	X
3	61621622	BRASS ELBOW-UNION TUBE	X	X	X
4	61618822	BRACKET-GAS VALVE MOUNTING/"U" TUBE	X	X	X
5	61563022	COVER-POWER SUPPLY	X	X	X
6	61571122	POWER SUPPLY BOARD-EG2	EG2	EG2	EG2
	61565022	POWER SUPPLY BOARD-EG3	EG3	EG3	EG3
7	61549522	CONTROL MODULE-IGNITION/CHANNEL (USE 61717037)	X	X	X
	61525022	CONTROL MODULE-IGNITION/FENWAL (USE 61717037)	X	X	X
8	61618922	BRACKET-CONTROL MOUNTING	X	X	X
9	61621722	CLAMP-"U"/UNION TUBE	X	X	X
10	61539222	MANUAL SHUT OFF VALVE	X	X	X
11	61525622	CONNECTOR-MALE/INLET FITTING	X	X	X
12	61551822	GAS VALVE-ASCO (USE 621446 OR 621447)	X	X	X
13	61594422	PRESSURE TAP	X	X	X
NS	61445322	PLUG-1/8"/FOR PRESSURE TAP (NOT SHOWN)	X	X	X
14	61619122	BURNER TUBE (USE 621446)	X		
	61604722	BURNER TUBE-HORIZONTAL BURNER (USE 621447)		X	X
	61604722-A	BURNER TUBE-REVISION C/U TUBE (USE 621447)		X	X
15	61554422	CORD-AC POWER/BLACK	X	X	X
16	61611622	FUSE-GLASS/5 AMP/110 VOLT	X	X	X
17	61538822	FUSE-GLASS/3 AMP (USE 61654622)	X	X	X
18	61585822	JUMPER WIRE-EG3	EG3	EG3	EG3
19	61583322	FUSE COVER	X	X	X
20	61440522	FUSE-GLASS/20 AMP	EG3	EG3	EG3
21	61584222	FUSE HOLDER	X	X	X
22	61570537	COVER ASSY-BURNER BOX (USE 61712637)	X	X	X
23	61570310	BASE-BURNER COVER/HRZL BURNER/SQUARE END	X	X	X
24	61448622	FITTING-FOR BURNER TUBE (USE 61692622 & 61692722)	X	X	X
25	61475122	ORIFICE GASKET	X	X	X
26	61452122	ORIFICE-LP#14 (USE 618866)	X		
	61452222	ORIFICE-LP#16 (USE 618865)		X	X
27	61588122	BURNER-HORIZONTAL BURNER (USE 61705222)	X	X	X
28	61573322	ELECTRODE-SENSOR/HORIZONTAL BURNER	X	X	X
29	61573222	ELECTRODE-SPARK/HORIZONTAL BURNER	X	X	X
30	61562522	HEATER-AC/200W/110V AC	X		
	61562722	HEATER-AC/300W/110V AC (USE 621702)		X	X
31	61562622	HEATER-DC/150W/14V DC	EG3		
	61562822	HEATER-DC/225W/14V DC		EG3	EG3
NS	621446	KIT-GAS VALVE/BURNER TUBE/BURNER ASSY (NOT SHOWN)	X		
NS	621447	KIT-GAS VALVE/BURNER TUBE/BURNER ASSY (NOT SHOWN)		X	X

PART IS NO LONGER AVAILABLE

**CONTROL BRACKET ASSEMBLY = STANDARD BURNER - 866, 868 SERIES**



## CONTROL BRACKET ASSEMBLY - STANDARD BURNER - 866, 868 SERIES

NO.	PART #	DESCRIPTION	866	868
1	61563022	COVER-POWER SUPPLY	X	X
2	61571122	POWER SUPPLY BOARD-EG2	EG2	EG2
	61565022	POWER SUPPLY BOARD-EG3	EG3	EG3
3	61549522	CONTROL MODULE-IGNITION/CHANNEL (USE 61717037)	X	X
	61525022	CONTROL MODULE-IGNITION/FENWAL (USE 61717037)	X	X
4	61618922	BRACKET-CONTROL MOUNTING	X	X
5	61539222	MANUAL SHUT OFF VALVE	X	X
6	61525622	CONNECTOR-MALE/INLET FITTING	X	X
7	61621622	BRASS ELBOW-UNION TUBE	X	X
8	61551822	GAS VALVE-ASCO (USE 621446/621447)	X	X
9	61594422	PRESSURE TAP	X	X
NS	61445322	PLUG-1/8"/FOR PRESSURE TAP (NOT SHOWN)	X	X
10	61543222	BURNER TUBE-STANDARD BURNER/ASCO	X	X
11	61554422	CORD-AC POWER/BLACK	X	X
12	61611622	FUSE-GLASS/5 AMP/110 VOLT	X	X
13	61538822	FUSE-GLASS/3 AMP (USE 61654622)	X	X
14	61585822	JUMPER WIRE-EG3	EG3	EG3
15	61526922	WIRE-IGNITION/STANDARD BURNER	X	X
16	61583322	FUSE COVER	X	X
17	61440522	FUSE-GLASS/20 AMP	EG3	EG3
18	61584222	FUSE HOLDER	X	X
19	61497522	BAFFLE ASSY-STANDARD BURNER	X	X
20	61448622	FITTING-FOR BURNER TUBE (USE 61692622 & 61692722)	X	X
21	61475122	ORIFICE GASKET	X	X
22	61452222	ORIFICE-LP#16 (USE 618865)	X	X
23	61537022	BURNER-NO ELECTRODES/STANDARD BURNER	X	X
24	61524722	ELECTRODE-IGNITION/STANDARD BURNER	X	X
25	61524822	ELECTRODE-SENSOR/STANDARD BURNER	X	X
26	61471322	HEATER-EG2/STANDARD BURNER/350W/120V AC	EG2	EG2
	61526322	HEATER-EG3/STD BURNER/350W/120V AC-225W/12V DC	EG3	EG3
NS	621447	KIT-GAS VALVE/BURNER TUBE/BURNER ASSY (NOT SHOWN)	X	X